

**KLT-C7MA-GC05A2 V1.0****5MP GalaxyCore GC05A2 MIPI Interface Auto Focus Camera Module**

Front View



Back View

**Specifications**

<b>Camera Module No.</b>	<b>KLT-C7MA-GC05A2 V1.0</b>
<b>Resolution</b>	5MP
<b>Image Sensor</b>	GC05A2
<b>Sensor Type</b>	1/5"
<b>Pixel Size</b>	1.25 um x 1.25 um
<b>EFL</b>	2.27 mm
<b>F.NO</b>	2.20
<b>Pixel</b>	2592 x 1944
<b>View Angle</b>	76.0°(DFOV)
<b>Lens Dimensions</b>	8.50 x 8.50 x 4.47 mm
<b>Module Size</b>	24.02 x 8.50 mm
<b>Module Type</b>	Auto Focus
<b>Interface</b>	MIPI
<b>Auto Focus VCM Driver IC</b>	DW9714P
<b>Lens Type</b>	650nm IR Cut
<b>Operating Temperature</b>	-20°C to +70°C
<b>Mating Connector</b>	GB042-28S-H10

**KLT-C7MA-GC05A2 V1.0****5MP GalaxyCore GC05A2 MIPI Interface Auto Focus Camera Module**

Top View



Side View



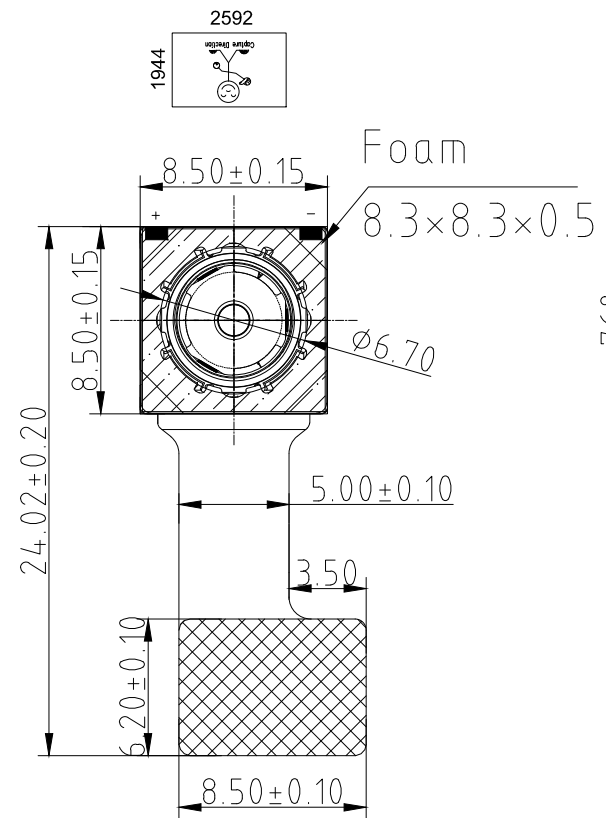
Bottom View



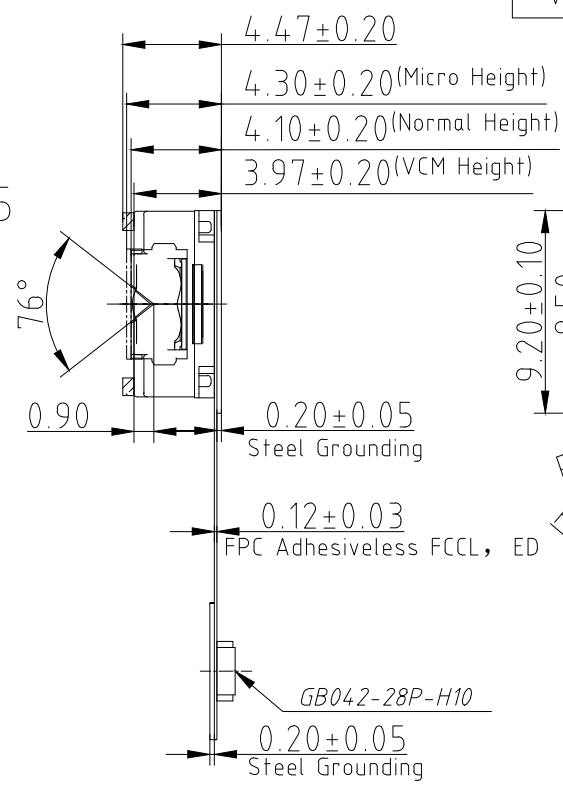
Mating Connector

Version	Information	Date
V1.0	First Version	11-2-2022

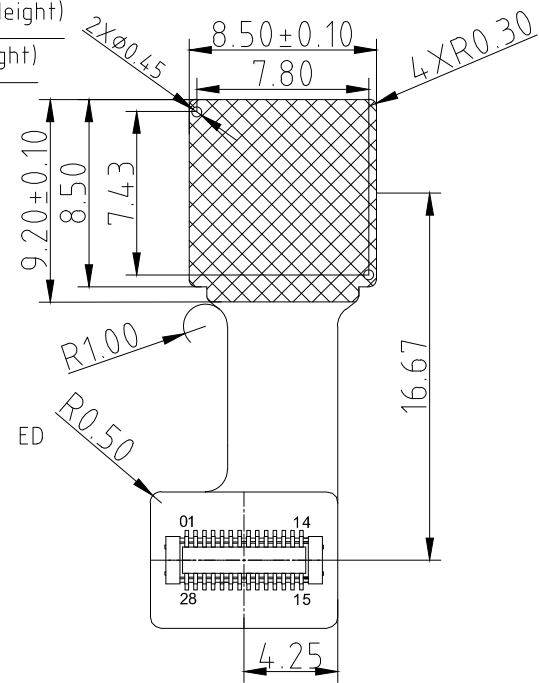
RoHS	
PIN	SIGNAL
1	AFVDD 2.8V
2	AGND
3	AVDD 2.8V
4	DGND
5	SI0C
6	SI0D
7	XSHUTDOWN
8	NC
9	DGND
10	DGND
11	FSYNC
12	DGND
13	DGND
14	MDP0
15	MDN0
16	DGND
17	MCP
18	MCN
19	DGND
20	MDP1
21	MDN1
22	DGND
23	XCLK
24	DGND
25	NC
26	DOVDD 1.8V
27	DVDD 1.2V
28	DGND



TOP VIEW



SIDE VIEW



BOTTOM VIEW

NOTE:  
 1.The device slave address:0x6E;  
 2.Driver IC:DW9714P

Parameters:  
1、 Sensor specification:  
 Image Sensor: GC05A2  
 Pixel: 1.12umx1.12um  
 Lens Type: 1/5  
 Important Voltage Description: DVDD1.2V

2、 Lens specification:  
 FOV: 76°  
 F/NO.: 2.2  
 TV distortion: <1.5%  
 Focal length: 2.27mm  
 Composition: 3P++IR FILTER  
 IR Cut Coating: 650nm±10nm@50%

Kai Lap Technologies Group Ltd

Designed By	Kevin	Model Name:	KLT-C7MA-GC05A2 V1.0		
Checked By	Aouly_Yan	Projection Type:	Unit:	Material: -----	
			mm	Scale:	Sheet:
			1:1	1 of 1	1/0



**GC05A2 CSP**

**1/5" 5Mega CMOS Image Sensor**

**DataSheet**

V0.0

2022-05-18

# 1. Sensor Overview

## 1.1 General Description

GC05A2 is a high quality 5Mega Bayer pattern CMOS Image Sensor (CIS) for cellular phone camera application and other products with embedded camera like tablet PC, smart watch, etc. GC05A2 is designed for full-size capturing at 30 frames per second (fps).

The total active pixel array size is 2592x 1944 to meet with the 1/5-inch optical format.

GC05A2 has on-chip 10-bit ADC arrays and corresponding image signal process functions like static DD, black level calibration, etc.

GC05A2 is suitable for fast yet low power consumption application with power supply of AVDD(2.8V)/IOVDD(1.8V or 1.2V)/DVDD(1.2V), which is useful in extending the battery life of cell phones, tablet PCs and a variety of other mobile products.

The CIS provides RAW10 data format through MIPI interface and can be controlled through camera control interface (CCI).

### 1.3 Features

- Optical format : 1/5 inch
- Pixel size : 1.12 $\mu$ m x 1.12 $\mu$ m BSI
- Active image size : 2592 x 1944
- Color filter : Bayer Pattern
- Output formats : Raw 10bit
- Shutter type : Electronic rolling shutter
- Frame rate : 30fps @ Full size  
: 30fps @ 1080P (crop)  
: 60fps @ HD (binning)
- MIPI data rate (max) : 1Gbps/lane
- Lane number : 2-lane
- ADC Accuracy : 10 bits
- Power supply requirement : 2.70~3.00V for AVDD (Typical 2.80V)  
: 1.15~1.30V for DVDD (Typical 1.20V)  
: 1.15~1.25V / 1.70~1.90V for IOVDD  
(Typical 1.20V / 1.80V)
- Image Flip : Horizontal/Vertical mirror
- Operation temperature : -20 $^{\circ}$ C ~ 70 $^{\circ}$ C
- Analog Gain : Max. 16x
- OTP support : 64K bits(56K bits for customer )
- Package : COB/CSP/COM
- Max. optical lens CRA : 31.9 $^{\circ}$ C
- PLL support
- Windowing support
- Dual sync application support (master/slave)

**FEATURES**

- 120mA output driver with 10-bit resolution DAC
- Smart Actuator Control (SAC™) modes
- Supply voltage ( $V_{DD}$ ): 2.3V to 4.3V
- I/O voltage ( $V_{IN}$ ): 1.8V to  $V_{DD}$
- Fast mode and Fast mode plus I<sup>2</sup>C interface compatible
- Power On Reset (POR)
- Power Down (PD) mode current consumption less than 1uA
- Package: 6-pin WLCSP (0.77mm x 1.14mm x 0.30mm)

**APPLICATIONS**

- Mobile camera
- Digital still camera
- Camcorder
- Web camera
- Action camera

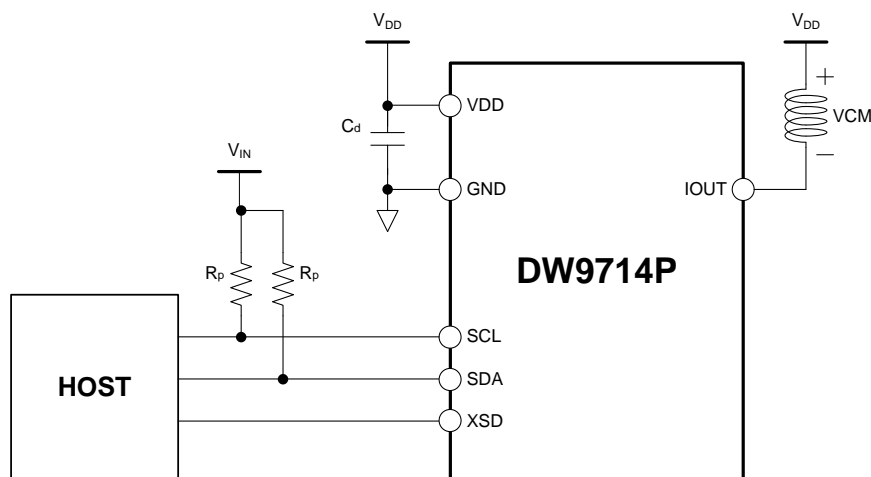
**GENERAL DESCRIPTION**

The DW9714P designed for linear control of Voice Coil Motors (VCM). This device is compatible with DW9714. The DW9714P has a single 10-bit DAC with 120mA output current sink capability. This device features SAC™ mode which can minimize the mechanical vibration and achieve very fast mechanical settling time. The SAC™ is protected by patent and registered trademark of DONGWOON ANATECH.

The DW9714P operates from a single 2.3V to 4.3V supply. The internal DAC is controlled via an I<sup>2</sup>C serial interface that operates at clock rate up to 1MHz. The I<sup>2</sup>C address for the DW9714P is 0x18. The DW9714P offers PD mode with current consumption less than 1uA.

The DW9714P can be used for auto focus applications in mobile cameras, digital still cameras, camcorders, web cameras and action cameras.

**TYPICAL APPLICATION CIRCUIT**



*Figure 1. Typical application circuit*

# GB042 series

## 0.4mm pitch PCB to PCB Connector

### GB042 series | Receptacle & Embossed Tape Assembly



#### Features

- GB042 series Connector is 0.4 mm pitch, low profile PCB to PCB SMT type connector.
- Improved contact reliability with plug and receptacle contacting at 2 point simultaneously.
- Stable unmating mechanism preventing receptacle contact from being deformed.

#### Applications

- Mobile phone
- Compact portable devices, etc

#### Materials & Finishes

Parts	Materials / Finishes
Insulator	UL94V-0
Plug	Copper Alloy
Recept.	Copper Alloy
	AU Plating
	AU Plating

#### Specifications

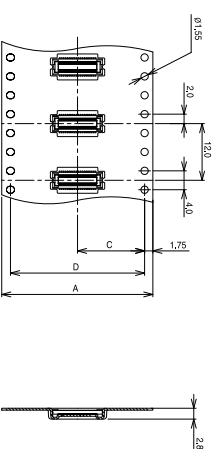
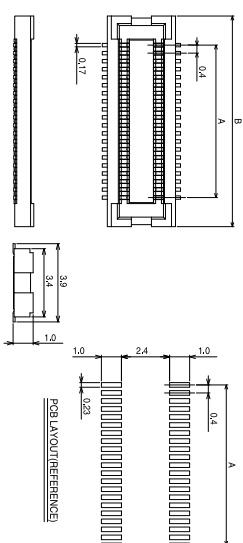
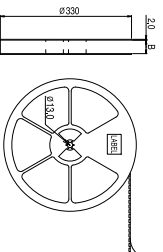
No. of Contacts	10-80
Stacking Height	1.0mm
Contact Spacing	0.4mm
Current Rating	AC, DC 0.3A/pin
Voltage Rating	AC, DC 50V
Dielectric Withstanding Voltage	AC 250V (r.m.s for one minute)
Insulation Resistance	1000MΩ
Contact Resistance	70mΩ
Operating Temp.	-25°C ~ +85°C

#### Embossed Tape Assembly



#### Receptacle

#### Bobbin



#### Ordering Information

GB042 Series

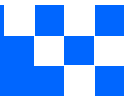
40 No. of Contacts

P Contact Type  
P Plug  
S Receptacle

H10 Mating Height

No. of Pin	Part Number	Receptacle		Embossed Tape Assembly			
		A	B	A	B	C	D
10	GB042-10S-**-H10-E3000	1.6	4.5				
20	GB042-20S-**-H10-E3000	3.6	6.5	16.0	18.0	7.5	-
24	GB042-24S-**-H10-E3000	4.4	7.3				
28	GB042-28S-**-H10-E3000	5.2	8.1				
30	GB042-30S-**-H10-E3000	5.6	8.5				
34	GB042-34S-**-H10-E3000	6.4	9.3				
40	GB042-40S-**-H10-E3000	7.6	10.5	24.0	26.0	11.5	-
44	GB042-44S-**-H10-E3000	8.4	11.3				
50	GB042-50S-**-H10-E3000	9.6	12.5				
54	GB042-54S-**-H10-E3000	10.4	13.3				
60	GB042-60S-**-H10-E3000	11.6	14.5				
64	GB042-64S-**-H10-E3000	12.4	15.3	32.0	34.0	14.2	28.4
70	GB042-70S-**-H10-E3000	13.6	16.5				





*your BEST camera module partner*

## Cameras Applications



Automotive Driver Pilot



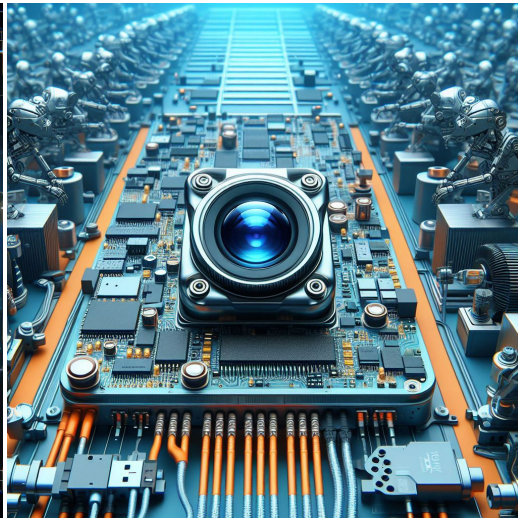
Live Streaming



Video Conference



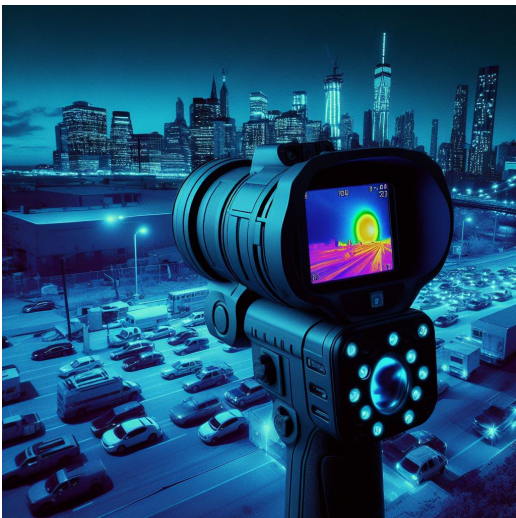
Eye Tracker Biometric Detection



Machine Vision



Agricultural Monitor



Night Vision Security



Drone and Sports Eagle Eyes



Interactive Pet Camera

[www.KaiLapTech.com](http://www.KaiLapTech.com) [sales@KaiLapTech.com](mailto:sales@KaiLapTech.com) Tel: (852) 6908 1256 Fax: (852) 3017 6778

All rights reserved @ Kai Lap Technologies Group Ltd. Specifications subject to change without notice.



*your BEST camera module partner*

## Cameras Applications



## IMAGING DEVICES





## Camera Module Pinout Definition Reference Chart

OmniVision	Sony	Samsung	On-Semi	Aptina	Himax	GalaxyCore	PixArt	SmartSens	Sensors
Pin Signal									
Description									
DGND	GND								
AGND									
PCLK	DCK								
XCLR	PWDN	XSHUTDOWN	STANDBY						
MCLK	XVCLK	XCLK	INCK						
RESET	RST								
NC	NULL								
SDA	SIO_D	SIOD							
SCL	SIO_C	SIOC							
VSYNC	XVS	FSYNC							
HREF	XHS								
DOVDD									
AFVDD									
AVDD									
DVDD									
STROBE	FSTROBE								
FSIN									
SID									
ILPWM									
FREX									
GPIO									
SLASEL									
AFEN									
<b>MIPI Interface</b>									
MDN0	DN0	MD0N	DATA_N	DMO1N					
MDP0	DP0	MD0P	DATA_P	DMO1P					
MDN1	DN1	MD1N	DATA2_N	DMO2N					
MDP1	DP1	MD1P	DATA2_P	DMO2P					
MDN2	DN2	MD2N	DATA3_N	DMO3N					
MDP2	DP2	MD2P	DATA3_P	DMO3P					
MDN3	DN3	MD3N	DATA4_N	DMO4N					
MDP3	DP3	MD3P	DATA4_P	DMO4P					
MCN	CLKN	CLK_N	DCKN						
MCP	CLKP	MCP	CLK_P	DCKN					
<b>DVP Parallel Interface</b>									
D0	DO0	Y0							
D1	DO1	Y1							
D2	DO2	Y2							
D3	DO3	Y3							
D4	DO4	Y4							
D5	DO5	Y5							
D6	DO6	Y6							
D7	DO7	Y7							
D8	DO8	Y8							
D9	DO9	Y9							
D10	DO10	Y10							
D11	DO11	Y11							

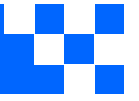
## Camera Reliability Test

Reliability Inspection Item		Testing Method	Acceptance Criteria	
Category	Item			
Environmental	Storage Temperature	High 60°C 96 Hours	Temperature Chamber	No Abnormal Situation
		Low -20°C 96 Hours	Temperature Chamber	No Abnormal Situation
	Operation Temperature	High 60°C 24 Hours	Temperature Chamber	No Abnormal Situation
		Low -20°C 24 Hours	Temperature Chamber	No Abnormal Situation
	Humidity	60°C 80% 24 Hours	Temperature Chamber	No Abnormal Situation
	Thermal Shock	High 60°C 0.5 Hours Low -20°C 0.5 Hours Cycling in 24 Hours	Temperature Chamber	No Abnormal Situation
Physical	Drop Test (Free Falling)	Without Package 60cm	10 Times on Wood Floor	Electrically Functional
		With Package 60cm	10 Times on Wood Floor	Electrically Functional
	Vibration Test	50Hz X-Axis 2mm 30min	Vibration Table	Electrically Functional
		50Hz Y-Axis 2mm 30min	Vibration Table	Electrically Functional
		50Hz Z-Axis 2mm 30min	Vibration Table	Electrically Functional
	Cable Tensile Strength Test	Loading Weight 4 kg 60 Seconds Cycling in 24 Hours	Tensile Testing Machine	Electrically Functional
Electrical	ESD Test	Contact Discharge 2 KV	ESD Testing Machine	Electrically Functional
		Air Discharge 4 KV	ESD Testing Machine	Electrically Functional
	Aging Test	On/Off 30 Seconds Cycling in 24 Hours	Power Switch	Electrically Functional
	USB Connector	On/Off 250 Times	Plug and Unplug	Electrically Functional



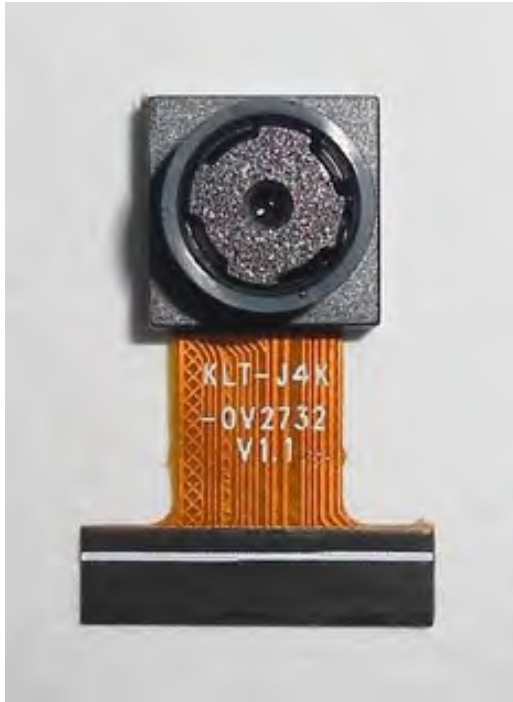


Inspection Item		Inspection Method	Standard of Inspection		
Category	Item				
Appearance	FPC/ PCB	Color	The Naked Eye	Major Difference is Not Allowed.	
		Be Torn/Chopped	The Naked Eye	Copper Crack Exposure is Not Allowed.	
		Marking	The Naked Eye	Clear, Recognizable (Within 30cm Distance)	
	Holder	Scratches	The Naked Eye	The Inside Crack Exposure is Not Allowed	
		Gap	The Naked Eye	Meet the Height Standard	
		Screw	The Naked Eye	Make Sure Screws Are Presented (If Any)	
		Damage	The Naked Eye	The Inside Crack Exposure is Not Allowed	
	Lens	Scratch	The Naked Eye	No Effect On Resolution Standard	
		Contamination	The Naked Eye	No Effect On Resolution Standard	
		Oil Film	The Naked Eye	No Effect On Resolution Standard	
		Cover Tape	The Naked Eye	No Issue On Appearance.	
	Function	Image	No Communication	Test Board	Not Allowed
			Bright Pixel	Black Board	Not Allowed In the Image Center
Dark Pixel			White board	Not Allowed In the Image Center	
Blurry			The Naked Eye	Not Allowed	
No Image			The Naked Eye	Not Allowed	
Vertical Line			The Naked Eye	Not Allowed	
Horizontal Line			The Naked Eye	Not Allowed	
Light Leakage			The Naked Eye	Not Allowed	
Blinking Image			The Naked Eye	Not Allowed	
Bruise			Inspection Jig	Not Allowed	
Resolution			Chart	Follows Outgoing Inspection Chart Standard	
Color			The Naked Eye	No Issue	
Noise			The Naked Eye	Not Allowed	
Corner Dark			The Naked Eye	Less Than 100px By 100px	
Color Resolution			The Naked Eye	No Issue	
Dimension	Height	The Naked Eye	Follows Approval Data Sheet		
	Width	The Naked Eye	Follows Approval Data Sheet		
	Length	The Naked Eye	Follows Approval Data Sheet		
	Overall	The Naked Eye	Follows Approval Data Sheet		



## KLT Package Solutions

KLT Camera Module



Complete with Lens Protection Film



Tray with Grid and Space



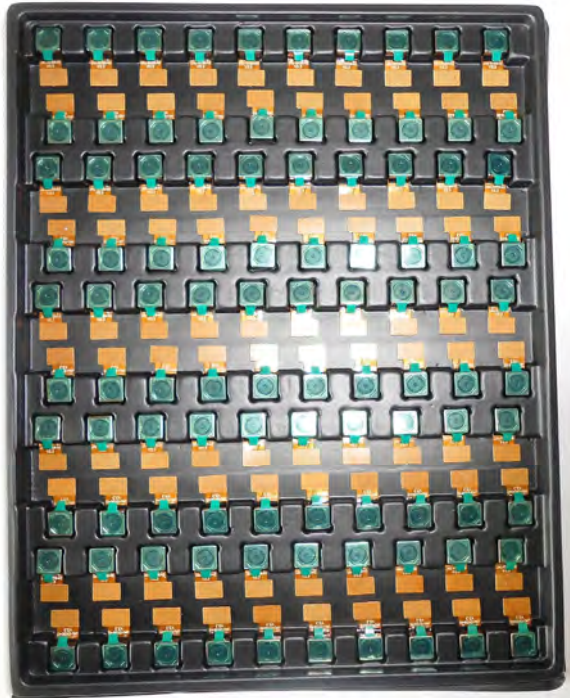
Place Cameras on the Tray





## Camera Modules Package Solution

Full Tray of Cameras



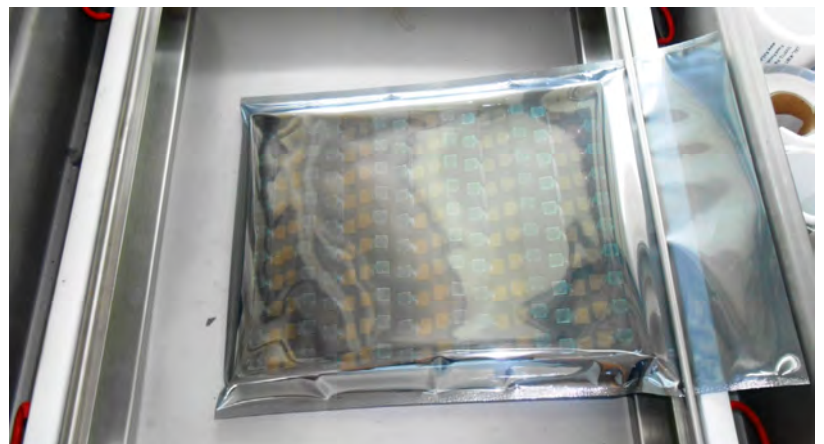
Cover Tray with Lid

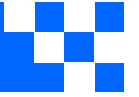


Put Tray into Anti-Static Bag



Vacuum the Anti-Static Bag





## Camera Modules Package Solution

### Sealed Vacuum Bag with Labels

1. Model and Description 2. Quantity 3. Shipping Date 4. Caution







## Large Order Package Solution

Place Foam Sheets Between Trays



Foam Sheets are Slightly Larger than Trays



Place Foam Sheets and Trays into Box



Foam Sheets are Tightly Fitting Box





## Small Order Package Solution

Place Foam Sheets and Trays into Small Box



Foam Sheets are Nicely Fitting the Small Box



Package in Small Box for Shipment



Place Small Boxes into Larger Box





*your BEST camera module partner*

## Carbon Box Package Solution

Seal the Carbon Box

Final Package Labelled Box



### Carbon Box Ready for Shipment

1. Delivery Address and Phone No. 2. Box No. and Ship Date 3. Fragile Caution





## Sample Order Package Solution

Place Sample into Small Anti-Static Bag



Place Connectors into Small Ant-Static Bag



### Sample Labels on the Small Bag

1. Camera Module or Connector Model 2. Shipping Date and Quantity 3. Caution





## Connectors Large Order Package Solution

Connectors in a Wheel



Label Connectors in the Wheel



The Wheel is Perfectly Fitting the Box



Connectors Box Ready for Shipment





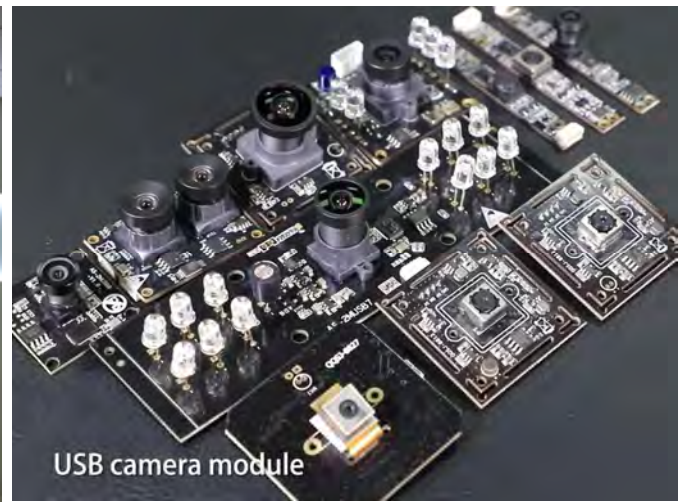
*your BEST camera module partner*

## Company Kai Lap Technologies (KLT)

Kai Lap Technologies Group Limited. (KLT) was established in 2009, a next-generation technology driven manufacturer specialized in research, design, and produce of audio and video products. KLT is occupying 20,000 square feet automated plants with 100 employees of annual throughput 30,000,000 units cameras.

KLT provides OEM, ODM design, contract manufacturing, and builds the camera products. You may provide the requirements to us, even with a hand draft, our sales and engineering work together to meet your needs. We consider ourselves your last-term partner in developing practical and innovative solutions.

Our team covers everything from initial concept development to mass produced product. KLT specializes in customized camera design, raw material, electronic engineering, firmware/software development, product testing, and packing design. Our experienced strategic supply systems offer a robust and dependable manufacturing capacity for orders of various sizes.



## Limited Warranty

KLT provides the following limited warranty if you purchased the Product(s) directly from KLT company or from KLT's website, [www.KaiLapTech.com](http://www.KaiLapTech.com). Product(s) purchased from other sellers or sources are not covered by this Limited Warranty. KLT guarantees that the Product(s) will be free from defects in materials and workmanship under normal use for a period of one (1) year from the date you receive the product ("Warranty Period").

For all Product(s) that contain or develop material defects in materials or workmanship during the Warranty Period, KLT will, at its sole option, either: (i) repair the Product(s); (ii) replace the Product(s) with a new or refurbished Product(s) (replacement Product(s) being of identical model or functional equivalent); or (iii) provide you a refund of the price you paid for the Product(s).

This Limited Warranty of KLT is solely limited to repair and/or replacement on the terms set forth above. KLT is not reliable or responsible for any subsequent events.





# CMOS CAMERA MODULES



*your BEST camera module partner*

## KLT Strength

### Powerful Factory



### Professional Service



### Promised Delivery



[www.KaiLapTech.com](http://www.KaiLapTech.com) [sales@KaiLapTech.com](mailto:sales@KaiLapTech.com) Tel: (852) 6908 1256 Fax: (852) 3017 6778

All rights reserved @ Kai Lap Technologies Group Ltd. Specifications subject to change without notice.